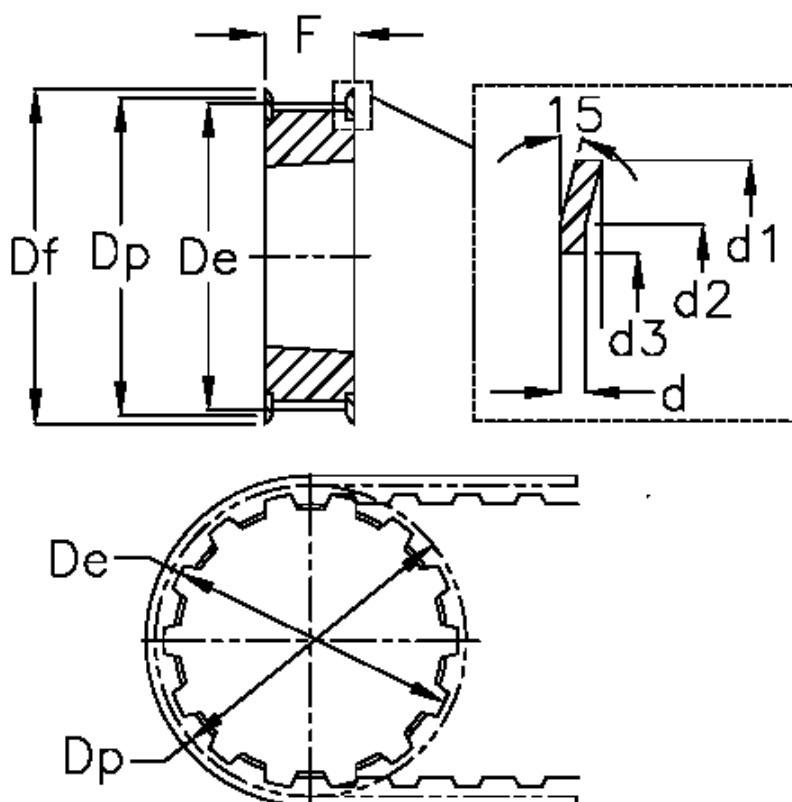


Article number: 604130044015

Description: Taper bored timing belt pulley
HTD 44 5M 15 TL 1108

Measures



d = 1	Flange type = F27
d1 = 75	For bushing = 1108
d2 = 68.5	Max bore = 25
d3 = 60	S = 22
De = 68.89	Tooth number = 44
Df = 75	Type = 5M
Dp = 70.03	Weight = -
F = 22	Width = 15